

Product data sheet

Specifications



Analog input module, Modicon M238 logic controller, 8 inputs voltage/current, non differential

TM2AMI8HT

! Discontinued on: 01 December 2020

! To be end-of-service on: 30 June 2024

! Discontinued - Service only

Main

Range of Product	Modicon M238 logic controller
Product or Component Type	Analog input module
Analogue input number	8
Analogue input type	current 4...20 mA non differential voltage 0...10 V non differential
Cross talk	<= 1 LSB

Complementary

Range Compatibility	Advantys OTB Twido
Analogue input resolution	10 bits
LSB value	19.5 μ A current 9.7 mV voltage
Permissible continuous overload	40 mA current 13 V voltage
Input impedance	\geq 10 kOhm voltage 470 Ohm current
Sampling duration	160 ms
Acquisition period	160 ms per channel + 1 controller cycle time
Measurement error	+/- 0.2 % of full scale 25 °C
Temperature coefficient	+/-0.01 %FS/°C
Repeat accuracy	+/- 0.4 %FS
Non-linearity	+/- 0.002 %FS
Total error	+/-1 %FS
Type of Cable	Shielded cable
Insulation between channel and internal logic	Photocoupler
Supply	External supply
[Us] rated supply voltage	24 V DC
Supply voltage limits	20.4...28.8 V
Electrical connection	1 removable screw terminal block power supply 1 removable screw terminal block sensors

Current consumption	45 mA 24 V DC external 60 mA 5 V DC internal
----------------------------	---

Net Weight	0.19 lb(US) (0.085 kg)
-------------------	------------------------

Environment

Dielectric strength	2500 V between the I/O and internal logic
----------------------------	---

Width	0.93 in (23.5 mm)
--------------	-------------------

Depth	2.76 in (70 mm)
--------------	-----------------

Height	3.54 in (90 mm)
---------------	-----------------

Ordering and shipping details

Category	22531-PLCS, TWIDO, TWD
-----------------	------------------------

Discount Schedule	PC12
--------------------------	------

GTIN	3595863996357
-------------	---------------

Returnability	No
----------------------	----

Country of origin	FR
--------------------------	----

Packing Units

Unit Type of Package 1	PCE
-------------------------------	-----

Number of Units in Package 1	1
-------------------------------------	---

Package 1 Height	2.95 in (7.5 cm)
-------------------------	------------------

Package 1 Width	4.13 in (10.5 cm)
------------------------	-------------------

Package 1 Length	4.92 in (12.5 cm)
-------------------------	-------------------

Package 1 Weight	5.08 oz (144.0 g)
-------------------------	-------------------

Unit Type of Package 2	S03
-------------------------------	-----

Number of Units in Package 2	18
-------------------------------------	----

Package 2 Height	11.81 in (30.0 cm)
-------------------------	--------------------

Package 2 Width	11.81 in (30.0 cm)
------------------------	--------------------

Package 2 Length	15.75 in (40.0 cm)
-------------------------	--------------------

Package 2 Weight	6.85 lb(US) (3.107 kg)
-------------------------	------------------------

Offer Sustainability

Sustainable offer status	Green Premium product
---------------------------------	-----------------------

California proposition 65	WARNING: This product can expose you to chemicals including: Lead and lead compounds, which is known to the State of California to cause cancer and birth defects or other reproductive harm. For more information go to www.P65Warnings.ca.gov
----------------------------------	---

REACH Regulation	REACH Declaration
-------------------------	-----------------------------------

EU RoHS Directive	Pro-active compliance (Product out of EU RoHS legal scope) EU RoHS Declaration
--------------------------	---

Mercury free	Yes
---------------------	-----

China RoHS Regulation	China RoHS declaration
------------------------------	--

RoHS exemption information	Yes
-----------------------------------	-----

Environmental Disclosure	Product Environmental Profile
---------------------------------	---

Circularity Profile	End of Life Information
----------------------------	---

WEEE	The product must be disposed on European Union markets following specific waste collection and never end up in rubbish bins.
-------------	--

PVC free	Yes
-----------------	-----

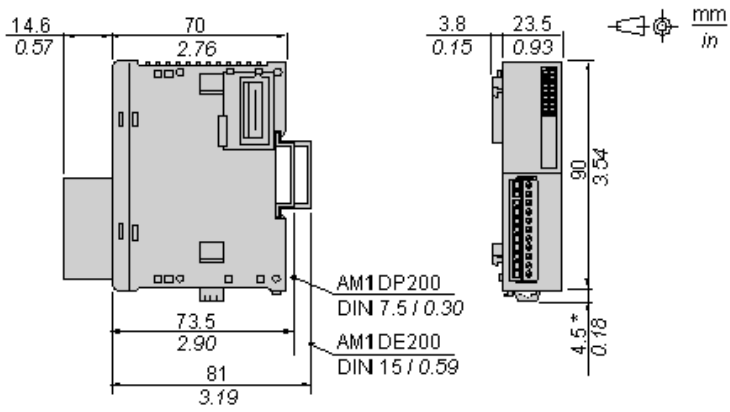
Contractual warranty

Warranty

18 months

Analog Input Module (8-channel, Voltage/Current)

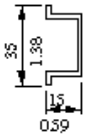
Dimensions



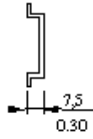
NOTE: * 8.5 mm (0.33 in) when the clip-on lock is pulled out.

DIN Rail Mounting

AM1DE200
 IEC/EN 60715



AM1DP200



AM1ED200



DZ5MB200

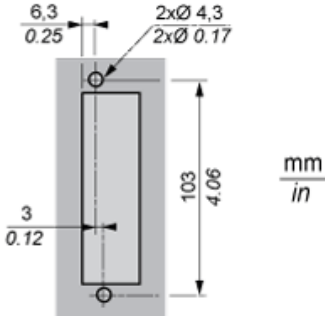
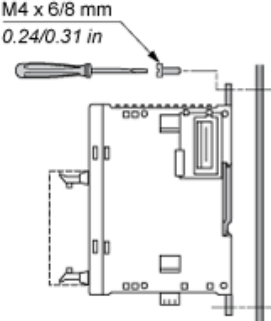


Rail depth	Catalogue part number
15 mm (0.59 in.)	AM1DE200
7,5 mm (0.30 in.)	AM1DP200

NOTE: Do not use AM1ED200 and DZ5MB200

Module Mounting on a Panel Surface

Mounting Hole Layout



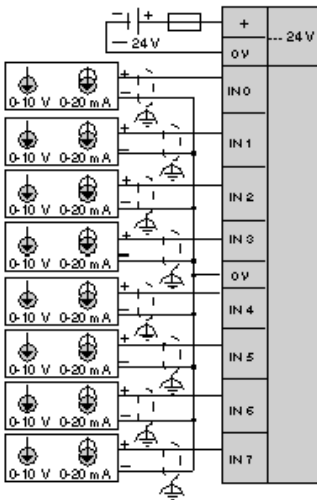
Wiring Requirements

Cable Types and Wire Sizes for Removable Screw Terminal Block

 9 0.35 mm in.							
mm ²	0,14...1,5	0,25...0,5	0,25...1,5	0,14...0,5	0,14...0,75	0,25...0,34	0,5
AWG	26...16	24...20	24...16	26...20	26...18	24...22	20

Analog Input Module (8-channel, Voltage/Current)

Wiring Diagram



Recommended replacement(s)

TM2AMI8HT is replaced by the following product range:



Modicon TM3 Expansion I/O modules for M221, M241, M251

Modicon TM3 I/O system specially designed for the Modicon M221, M241 and M251 logic controllers!

Products: 65